

NOTE: THIS SWITCH IS COMPOSED OF GANGED SECTIONS SW1A, SW1B, SW1C, SW1D AND SW1E.

Figure 57. Radio Receiver BC-794-A, -B, schematic diagram.

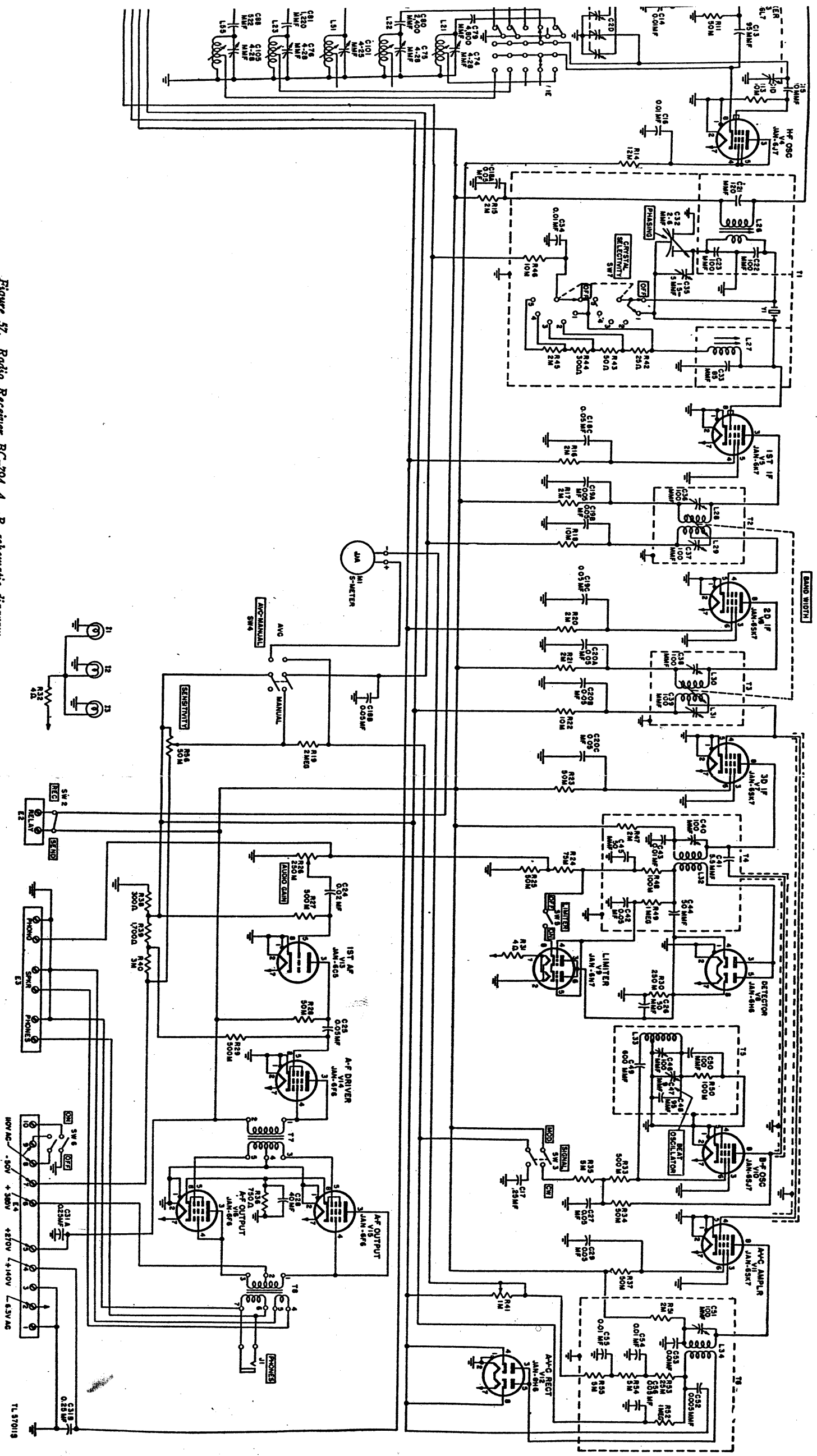
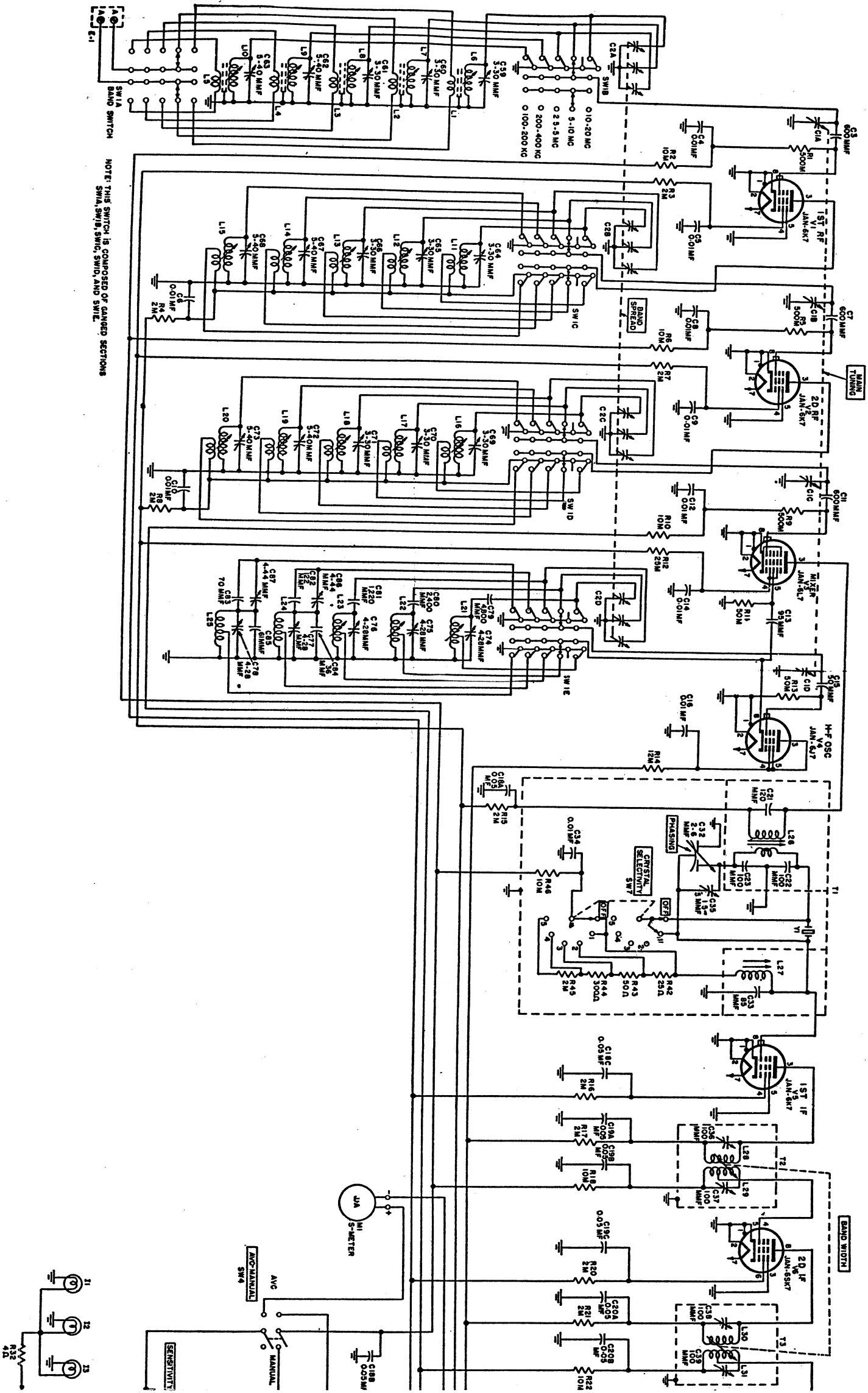


Figure 57. Radio Receiver BC-794-A, -B, schematic diagram.

2/2



NOTE: THIS SWITCH IS COMPOSED OF GANGED SECTIONS SW1A, SW1B, SW1C, SW1D, AND SW1E.

Figure 56. Radio Receiver, BC-779-A, -B, schematic diagram.

↳ 1d2

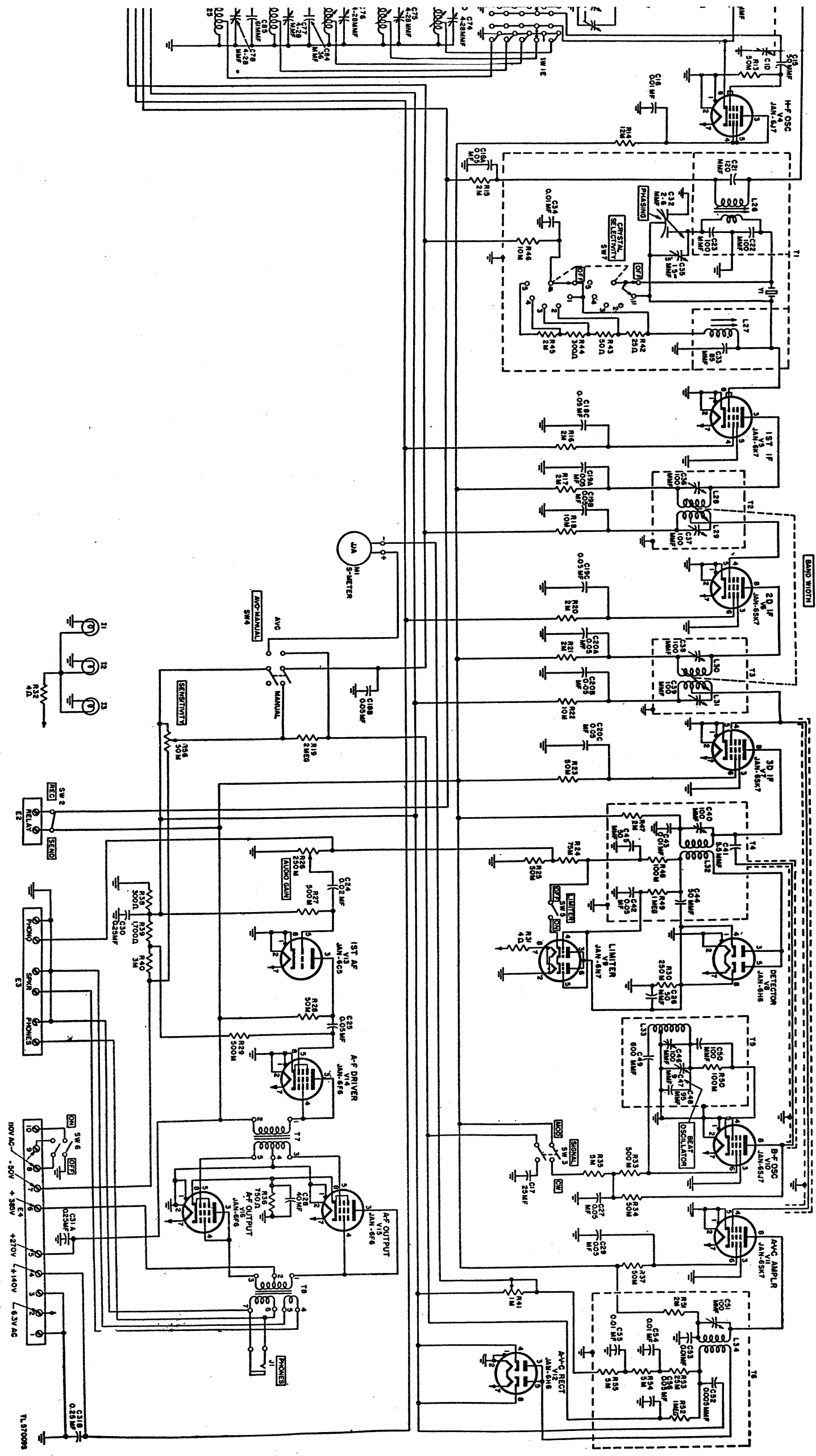


Figure 56. Radio Receiver, BC-779-A, -B, schematic diagram.

2 of 2

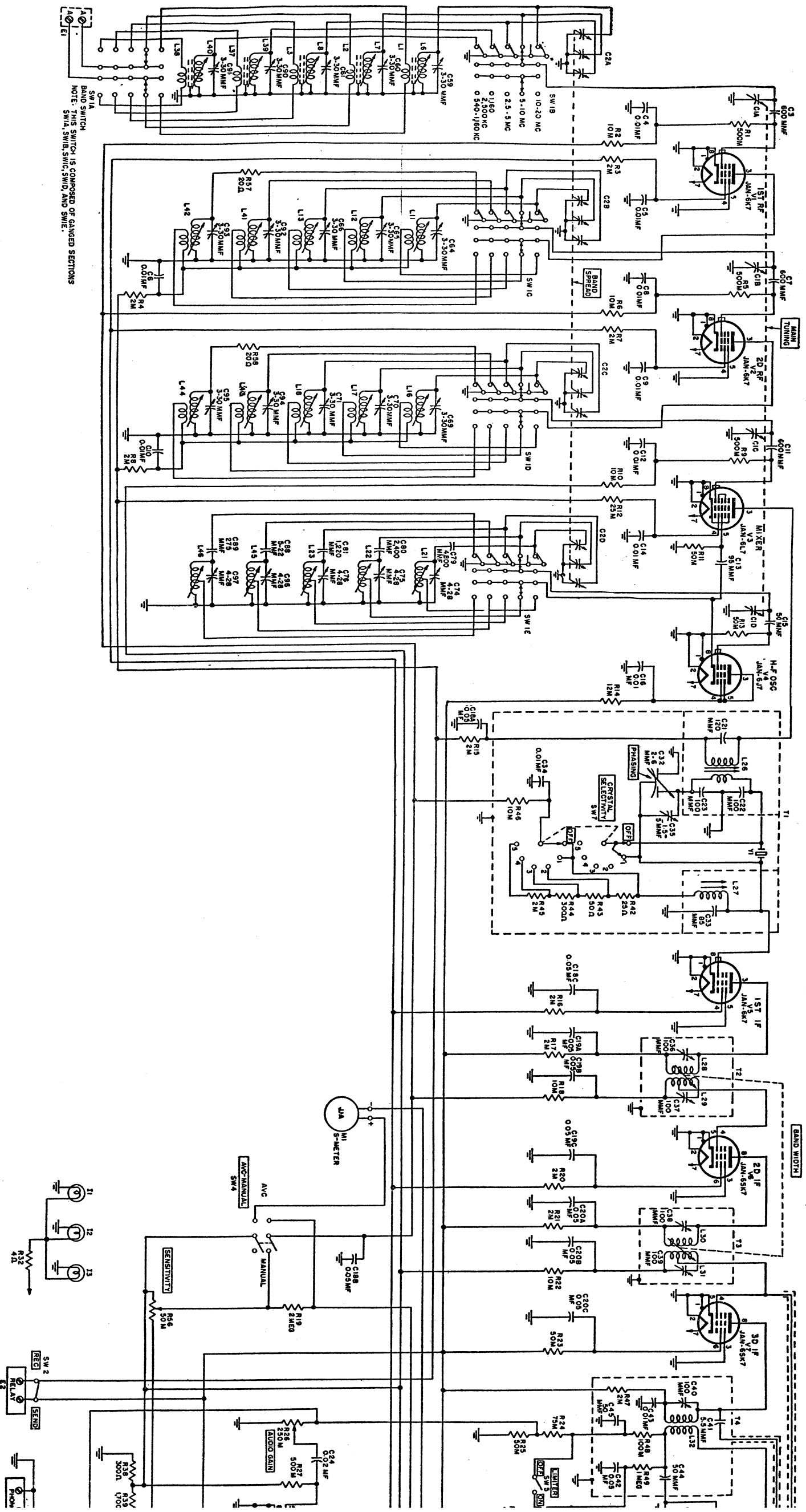


Figure 58. Radio Receiver BC-1004-B, -C, schematic diagram.

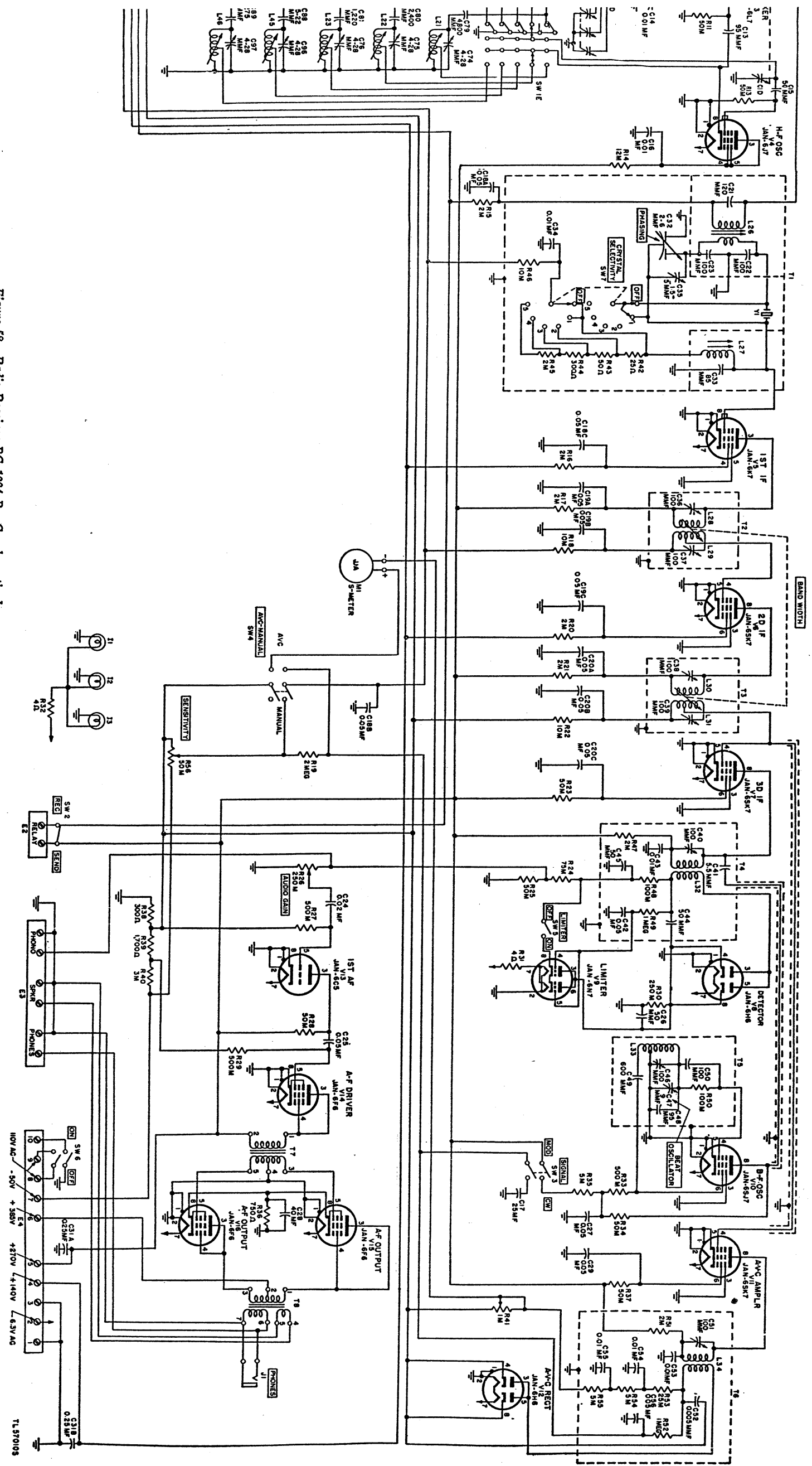


Figure 58. Radio Receiver BC-1004-B, -C, schematic diagram.

2 of 2

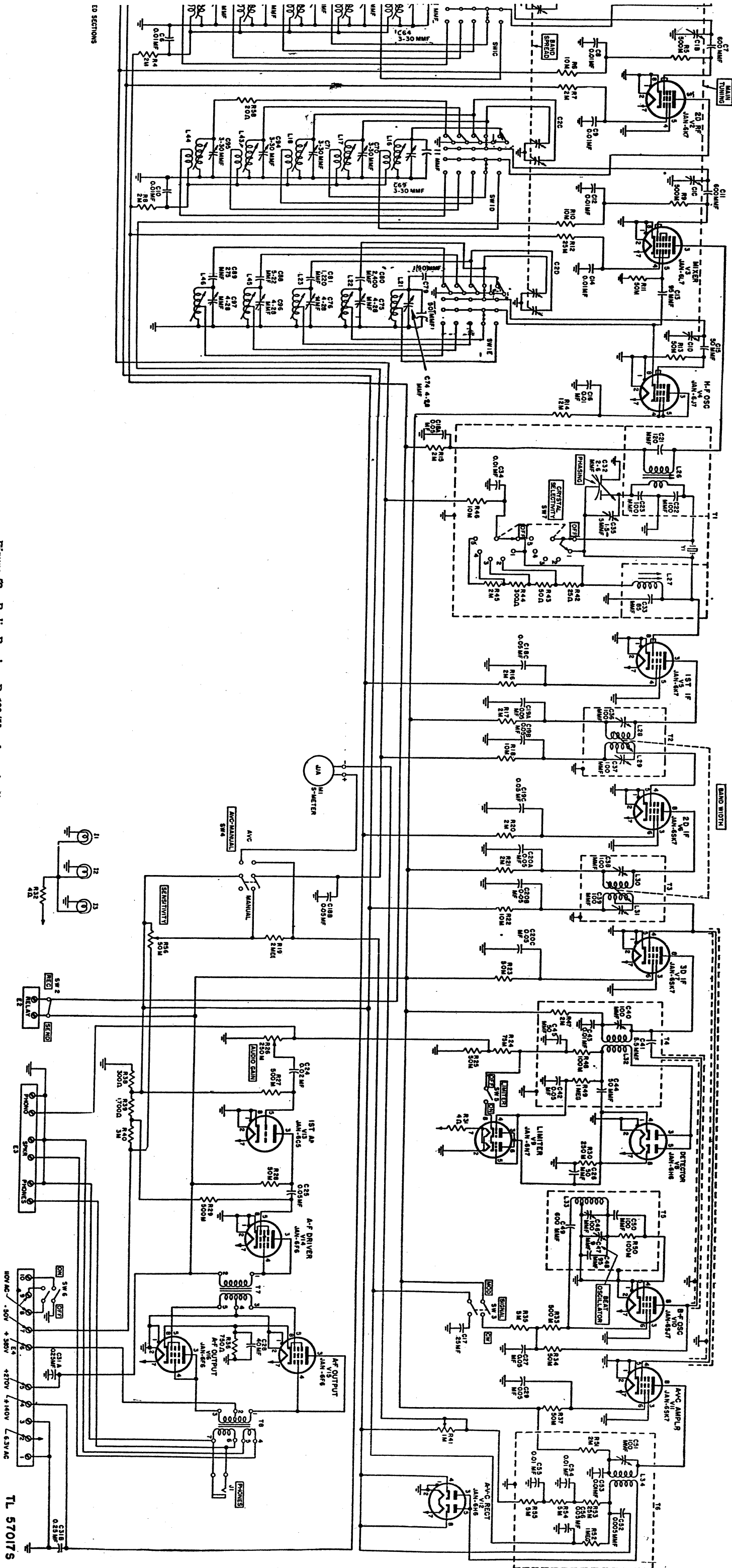


Figure 39. Radio Receiver R-129/U, schematic diagram.

1 of 2



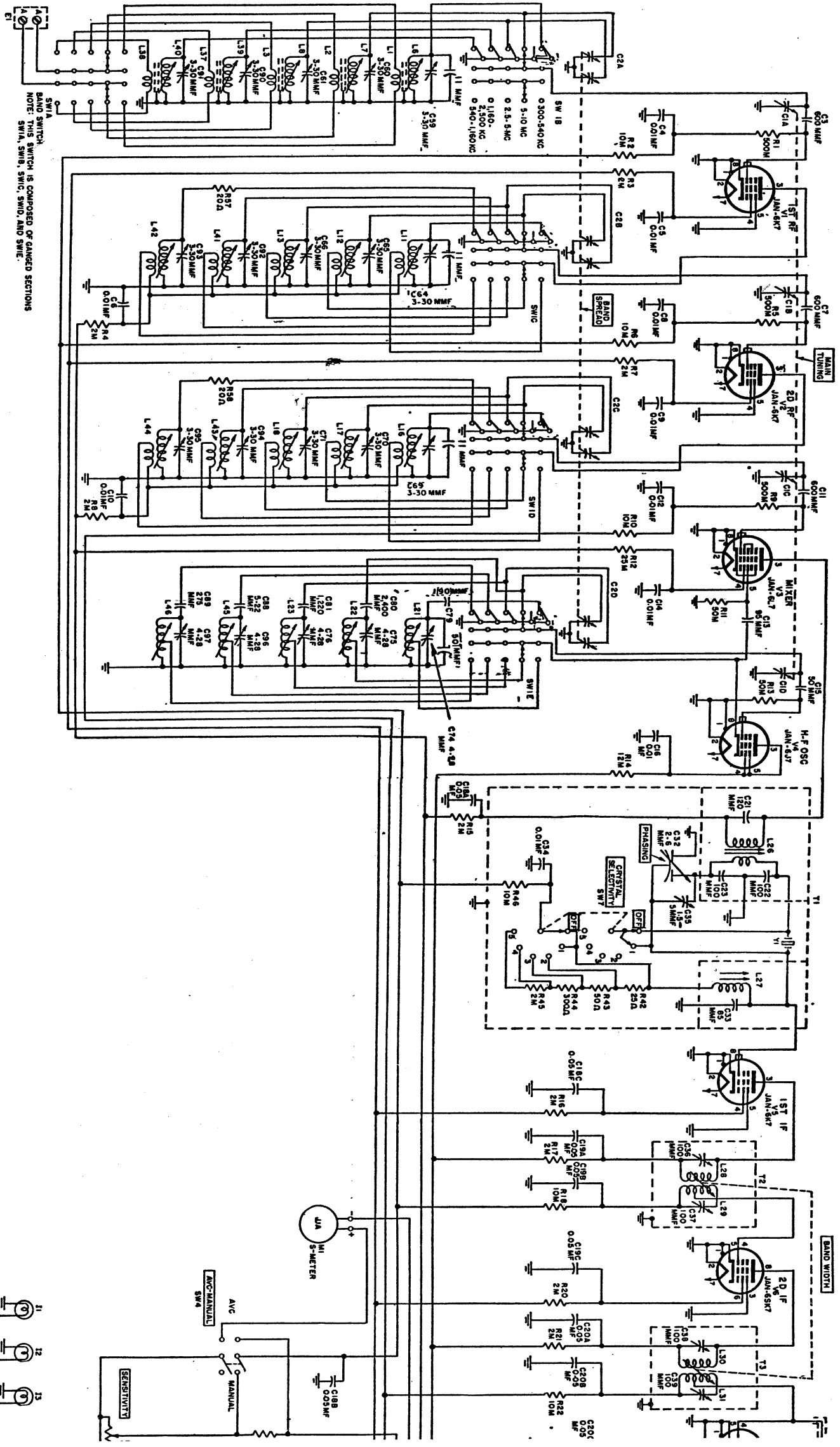


Figure 59. Radio Receiver R-129/U, schematic diagram.



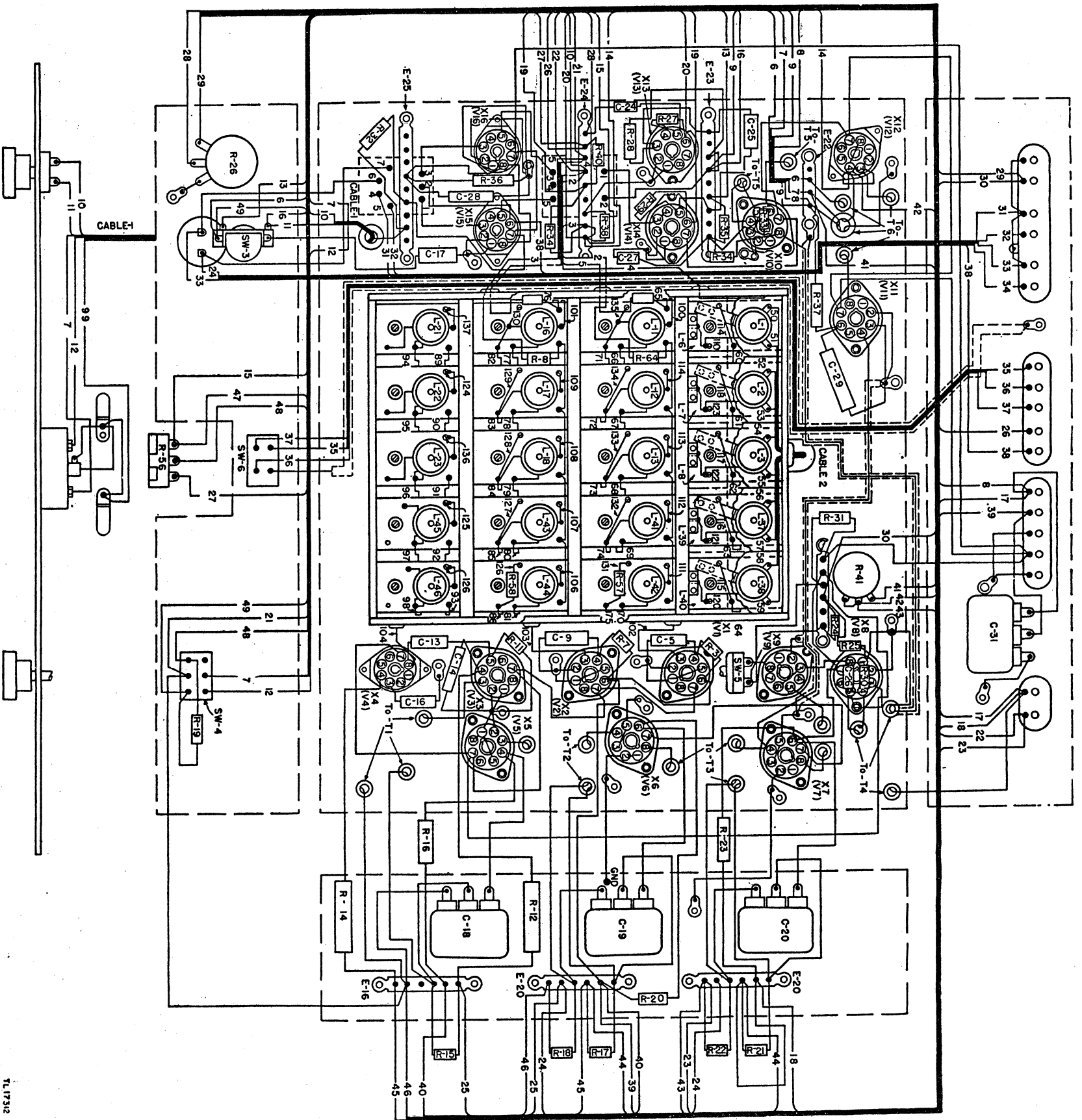


Figure 60. Receiver chassis, wiring diagram.

T.O. 31R1-3BC779-1

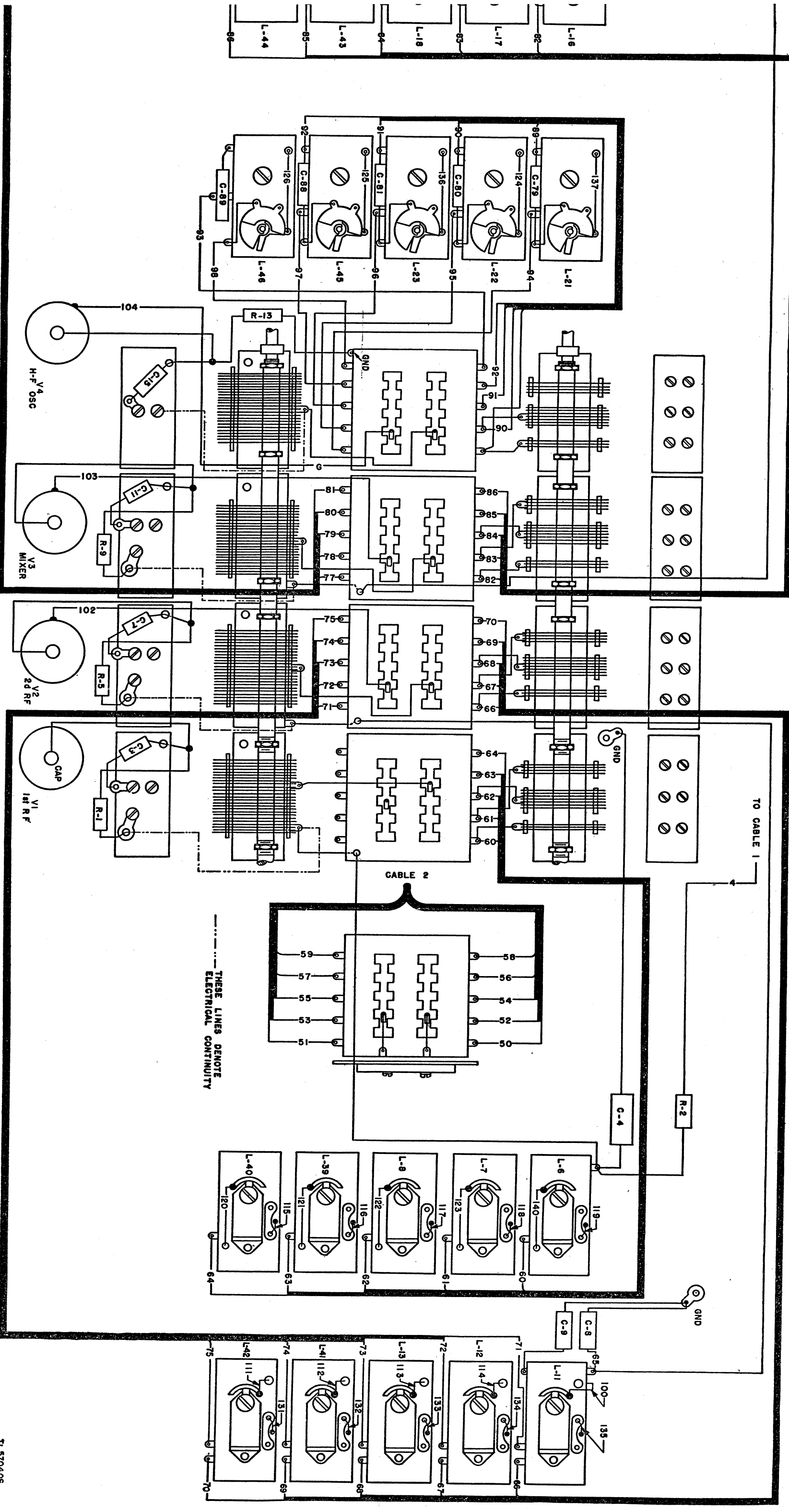


Figure G1. Receiver tuning unit, wiring diagram.

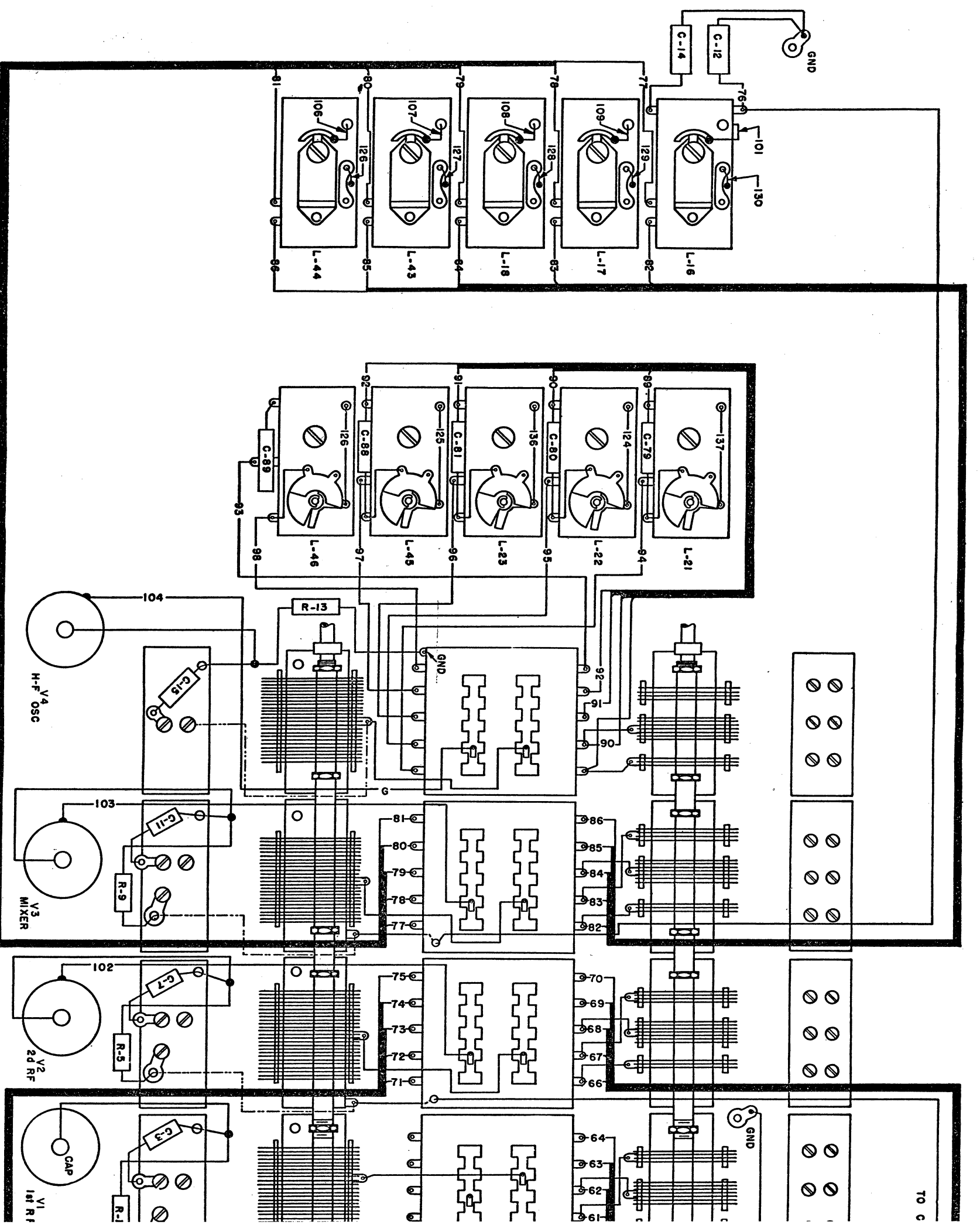


Figure 61. Receiver tuning unit, wiring diagram.

2 of 2